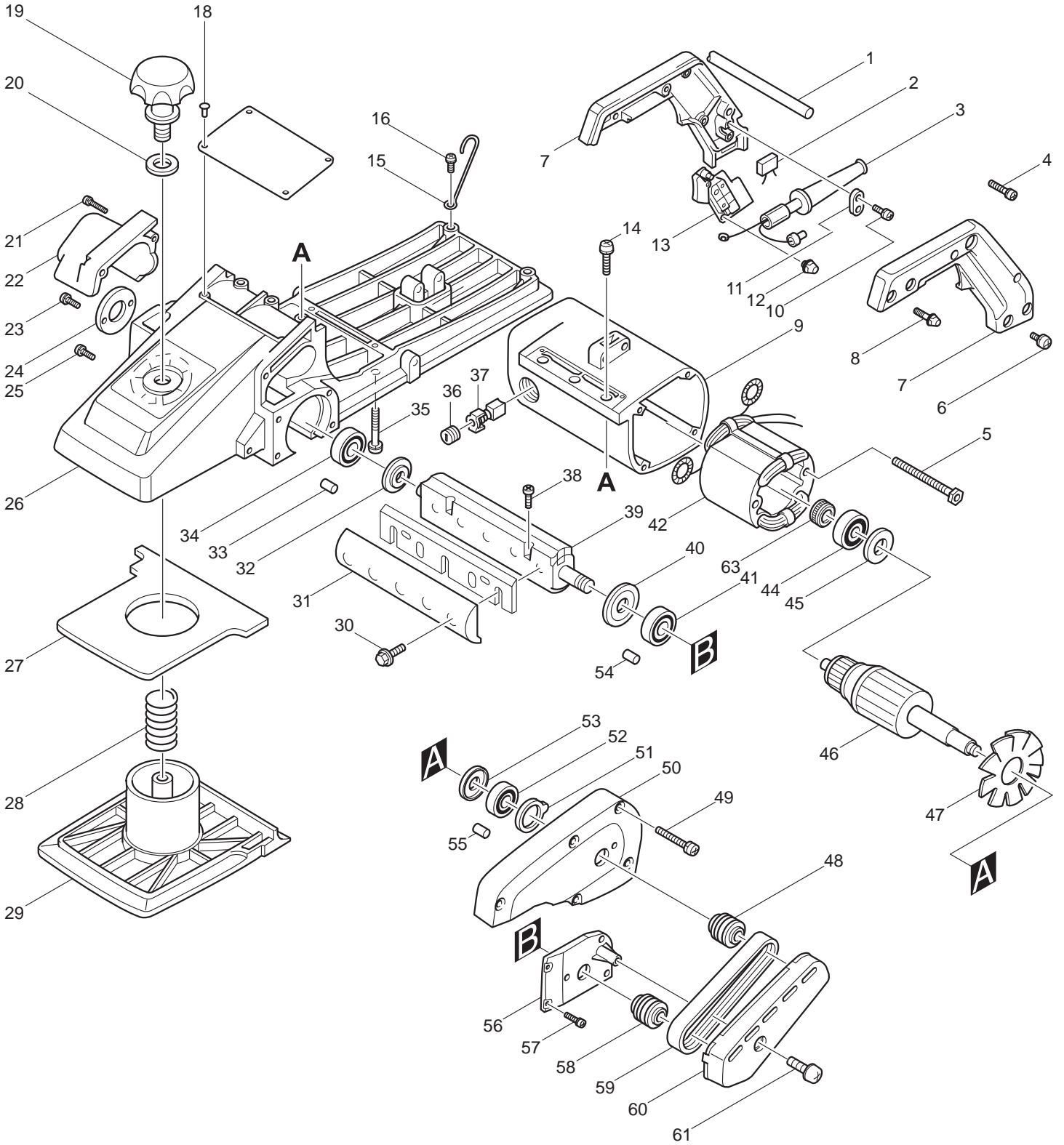




01 - 2010
1806B
6-3/4" PLANER



Item No	Type	Ref	Part No	Description	Qty	Unit
1			664276-9	CORD W/PLUG 2P-16-5.0M, SJ	1	PC.
3			682505-8	CORD GUARD 10-90	1	PC.
4			911158-9	PAN HEAD SCREW M4X30	2	PC.
5			911300-2	PAN HEAD SCREW M5X75	2	PC.
6			911213-7	PAN HEAD SCREW M5X12	4	PC.
7			181151-9	HANDLE SET	1	SET
8			911253-5	PAN HEAD SCREW M5X30	2	PC.
9	1		156414-2	* MOTOR HOUSING	1	PC.
		INC.	643653-8	BRUSH HOLDER 6.5-13.5	2	PC.
		INC.	913206-0	SET SCREW M5X8	2	PC.
	2		156414-2	* MOTOR HOUSING	1	PC.
		INC.	643653-8	BRUSH HOLDER 6.5-13.5	2	PC.
10			911133-5	PAN HEAD SCREW M4X18	2	PC.
11			687031-2	STRAIN RELIEF	1	PC.
12			911103-4	PAN HEAD SCREW M4X6	2	PC.
13			651018-0	SWITCH (TRIGGER)	1	PC.
14			911228-4	PAN HEAD SCREW M5X18	3	PC.
15			281007-7	HOLDER	1	PC.
16			911324-8	PAN HEAD SCREW M6X16	1	PC.
18			953106-2	RIVET 0-5	4	PC.
19			271249-1	KNOB 64 (OLD# 271202-7 - N/L/A)	1	PC.
20			253004-3	FLAT WASHER 13	1	PC.
21			911158-9	PAN HEAD SCREW M4X30	2	PC.
22			316966-7	CHIP COVER	1	PC.
23			911206-4	PAN HEAD SCREW M5X10	2	PC.
24			285004-5	BEARING COVER 38	1	PC.
25			911206-4	PAN HEAD SCREW M5X10	2	PC.
26			159984-0	MAIN FRAME	1	PC.
		INC.	816688-4	SCALE PLATE	1	PC.
		INC.	953106-2	RIVET 0-5	4	PC.
27			423094-2	RUBBER PACKING	1	PC.
28			231233-8	COMPRESSION SPRING 24	1	PC.
29			315575-9	FRONT BASE	1	PC.
30			265484-1	HEX. SOCKET HEAD BOLT M6X17	10	PC.
31	2		344466-7	DRUM PLATE (2PCS/SET)	1	SET
32			341376-9	WASHER 10	1	PC.
33			263002-9	RUBBER PIN 4 (OLD)	1	PC.
34			211067-5	BALL BEARING 6200ZZ	1	PC.
35			911256-9	PAN HEAD SCREW M5X35	2	PC.
36			643650-4	BRUSH HOLDER CAP 6.5-13.5	2	PC.
37	1		181047-4	CARBON BRUSH CB-154 2PCS/SET W/O ORIGIN - N/L/A	1	SET
	2		194986-9	CARBON BRUSH CB-154 2PC/SET W/ ORIGIN	1	SET
	Opt.1		181048-2	AUTO CUT-OFF CARBON BRUSH CB-155 2PC/SET W/O ORIGIN	1	SET
	Opt.2		194987-7	A.C. CARBON BRUSH CB-155 2PC/SET W/ ORIGIN	1	SET
38			251212-0	+ FLAT HEAD SCREW M5X13	4	PC.
39			161132-9	DRUM	1	PC.
40			341377-7	WASHER 12	1	PC.
41			211107-9	BALL BEARING 6201ZZ	1	PC.
42			523022-8	FIELD ASS'Y 115V-130V (OLD# 623022-9)	1	PC.
		INC.	654020-2	RING TERMINAL	2	PC.
		INC.	654502-4	CONNECTOR P-2	2	PC.
44	1		211063-3	BALL BEARING 6000LB	1	PC.
	2		211061-7	BALL BEARING 6000LLB	1	PC.
45			681635-2	INSULATION WASHER	1	PC.
46			513386-8	ARMATURE ASS'Y 115V (OLD# 613311-0)	1	PC.
		INC.		Item No. 44,45,47,52,53		

Item No	Type	Ref	Part No	Description	Qty	Unit
47			241013-4	FAN 80	1	PC.
48			222007-8	V-PULLEY 6-23L	1	PC.
49			911263-2	PAN HEAD SCREW M5X40	5	PC.
50			152214-8	BRACKET COMPLETE (OLD# 411407-9)	1	PC.
		INC.		Item No. 55		
51			341384-0	WASHER 26	1	PC.
52			211106-1	BALL BEARING 6201LLB	1	PC.
53			213102-5	DUST SEAL 12	1	PC.
54			263005-3	RUBBER PIN 6	1	PC.
55			263005-3	RUBBER PIN 6	1	PC.
56			157024-8	DRUM HOUSING (OLD# 312926-7)	1	PC.
		INC.		Item No. 54		
57			911121-2	PAN HEAD SCREW M4X14	4	PC.
58			222006-0	V-PULLEY 6-30	1	PC.
59			225042-5	POLY V-BELT 6-304	1	PC.
60			343301-6	BELT COVER	1	PC.
61			911206-4	PAN HEAD SCREW M5X10	1	PC.
63			421490-8	RUBBER RING 26	1	PC.
64			934201-7	WING NUT M5	2	PC.
65			923211-9	CAP SQUARE NECK BOLT M5X12	2	PC.
100			654038-3	INSULATED TERMINALFT1.25-M4	4	PC.
101			652014-1	P.H. SCREW M4 X 8	4	PC.
102			652252-5	CLAMP WASHER	4	PC.
409A			821134-4	WOODEN CARRYING CASE (N/A for REPLACEMENT)	1	PC.

ACCESSORIES

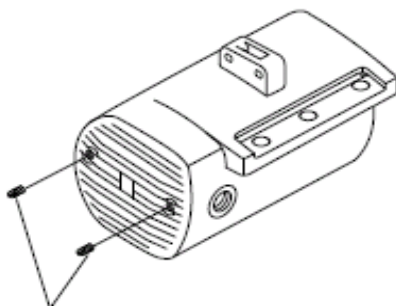
- See Catalogue or visit www.makita.ca for more accessories -

A01			762001-3	TRIANGULAR RULE	1	PC.
A02			793186-4	6-3/4" PLANER BLADE HSS	1	SET
A03			783202-0	HEX. WRENCH 4	1	PC.
A04			123053-3	GUIDE RULE ASS'Y	1	PC.
		INC.		Item No. 64, 65		
A05			123006-2	SHARPENING HOLDER ASS'Y	1	PC.
		INC.	934301-3	WING NUT M6	2	PC.
		INC.	341009-6	PRESSURE PLATE - (N/A as individually)	1	PC.
		INC.	312846-5	SHARPENING HOLDER - (N/A as individually)	1	PC.
		INC.	251920-3	C.S.N. BOLT M6X30	2	PC.
A06			794060-9	DRESSING STONE 180MM	1	PC.
A07			181575-9	JOINT 70	1	PC.
A08			122397-8	NOZZLE ASSY	1	PC.
		INC.	213701-3	O RING	1	PC.

SERVICE CHANGES

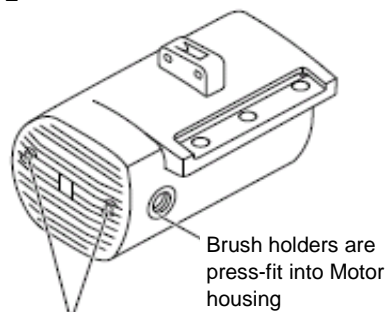
1. Changes on Motor Housing

Type 1



Set screws M5X8 are used as the stopper of Brush Holder

Type 2



Screws are eliminated